



652 Oliver Street
Williamsport, PA 17701 U.S.A.

Telephone +1 (800) 258-3279 (U.S. and Canada)
Telephone +1 (570) 323-6181 (International)
Facsimile +1 (570) 327-7101

www.lycoming.com

MANDATORY

SERVICE BULLETIN

DATE: June 2, 2016

Service Bulletin No. 366C
(Supersedes Service Bulletin No. 366B)
Engineering Aspects are
FAA Approved

SUBJECT: Carburetor Throttle Body Screw Inspection

MODELS AFFECTED: All Lycoming engines equipped with Marvel-Schebler, Facet, Precision, or Volare updraft carburetor models MA-3A, MA-3PA, MA-3SPA, MA-4SPA, MA-4-5, MA-4-5AA, and MA-6AA.

TIME OF COMPLIANCE: Within the next 50 hours of engine operation and every 50 hours thereafter during routine engine maintenance

REASON FOR REVISION: Correct the CAUTION after Step 3.

NOTICE: Incomplete review of all the information in this document can cause errors. Read the entire Service Bulletin to make sure you have a complete understanding of the requirements.

Instances have been reported of leakage through the gasket between the bowl assembly and throttle body of the carburetor, evident by fuel stains in the area of the leak. Leakage of this type can be accompanied by loose screws that attach the bowl and throttle body.

See Figure 1 for illustrative example of the throttle body attaching screws.

INSTRUCTIONS FOR COMPLIANCE:

1. Examine the carburetor for evidence of fuel stains on the outside of the bowl along the parting line.
2. Complete a check for movement between the throttle body and bowl.
3. Make sure each throttle body-to-bowl attaching screw is secure and not loose by attempting to move the screw and/or locktab washers with your fingers.

CAUTION: IF ANY ATTACHING SCREW IS LOOSE, DO NOT ATTEMPT TO TURN THE SCREW WITH A SCREWDRIVER. IF YOU TURN THE SCREW WITH A SCREWDRIVER, IT COULD DAMAGE THE LOCK WASHERS AND INCREASE THE LIKELIHOOD THAT THE SCREWS WILL BECOME LOOSE.

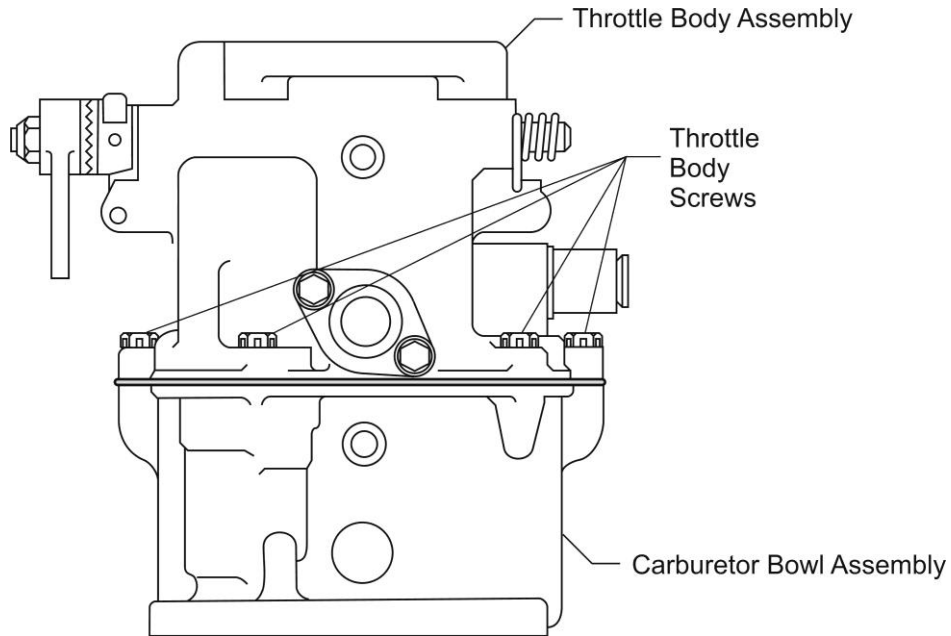
4. If there is evidence of fuel stains, movement between the throttle body and bowl, or the throttle body-to-bowl attaching screws are loose then remove the carburetor in accordance with the applicable engine and airframe service manuals. Send the carburetor to a qualified repair station for troubleshooting and repair. Reinstall the carburetor in accordance with the applicable engine and airframe service manuals.
5. Make an appropriate logbook entry showing compliance with this Service Bulletin.



ISSUED			REVISED			PAGE NO.	REVISION
MO	DAY	YEAR	MO	DAY	YEAR	1 of 2	C
09	14	73	06	02	16		

After compliance with this Service Bulletin, if fuel leakage is found at a subsequent inspection, contact Lycoming Technical Support Hotline:

- +1 (877) 839-7878 (Toll Free)
- +1 (570) 327-7222



Models MA-3A, MA-3PA, MA-3SPA, and MA-4SPA have four screws. Models MA-4-5, MA-4-5AA, and MA-6AA have six screws.

Figure 1
Illustrative Example of Throttle Body Attaching Screws

ISSUED			REVISED			PAGE NO.	REVISION	S.B. 366
MO	DAY	YEAR	MO	DAY	YEAR			
09	14	73	06	02	16	2 of 2	C	